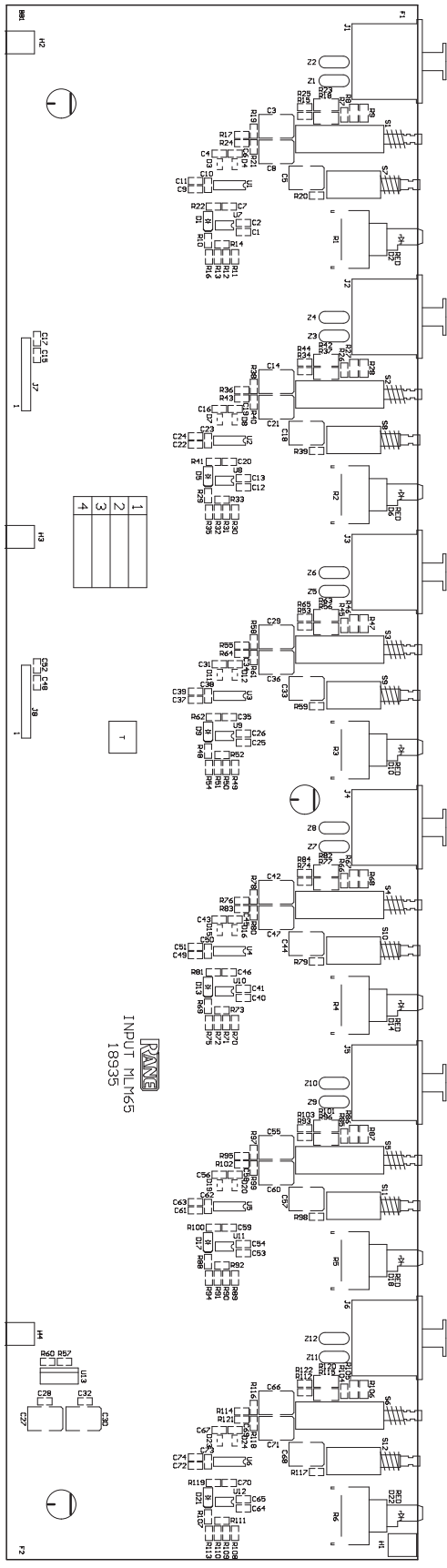
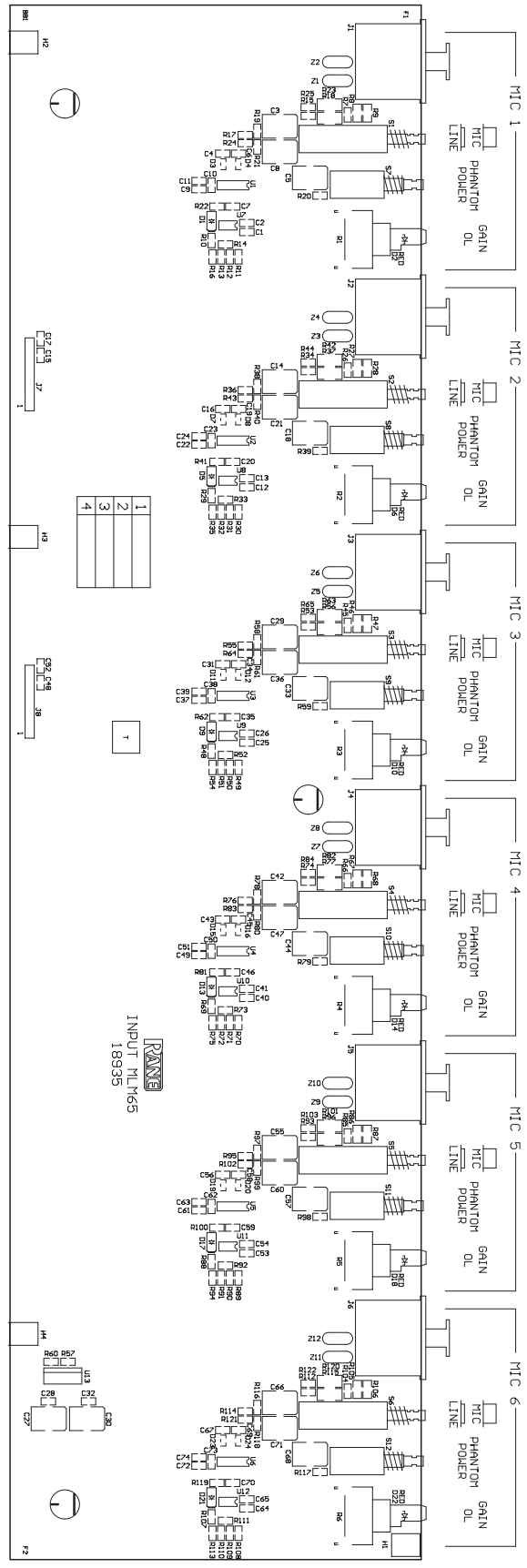
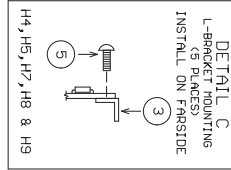
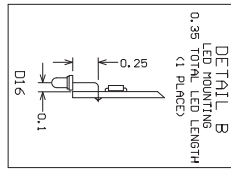
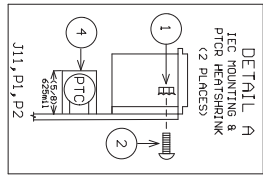
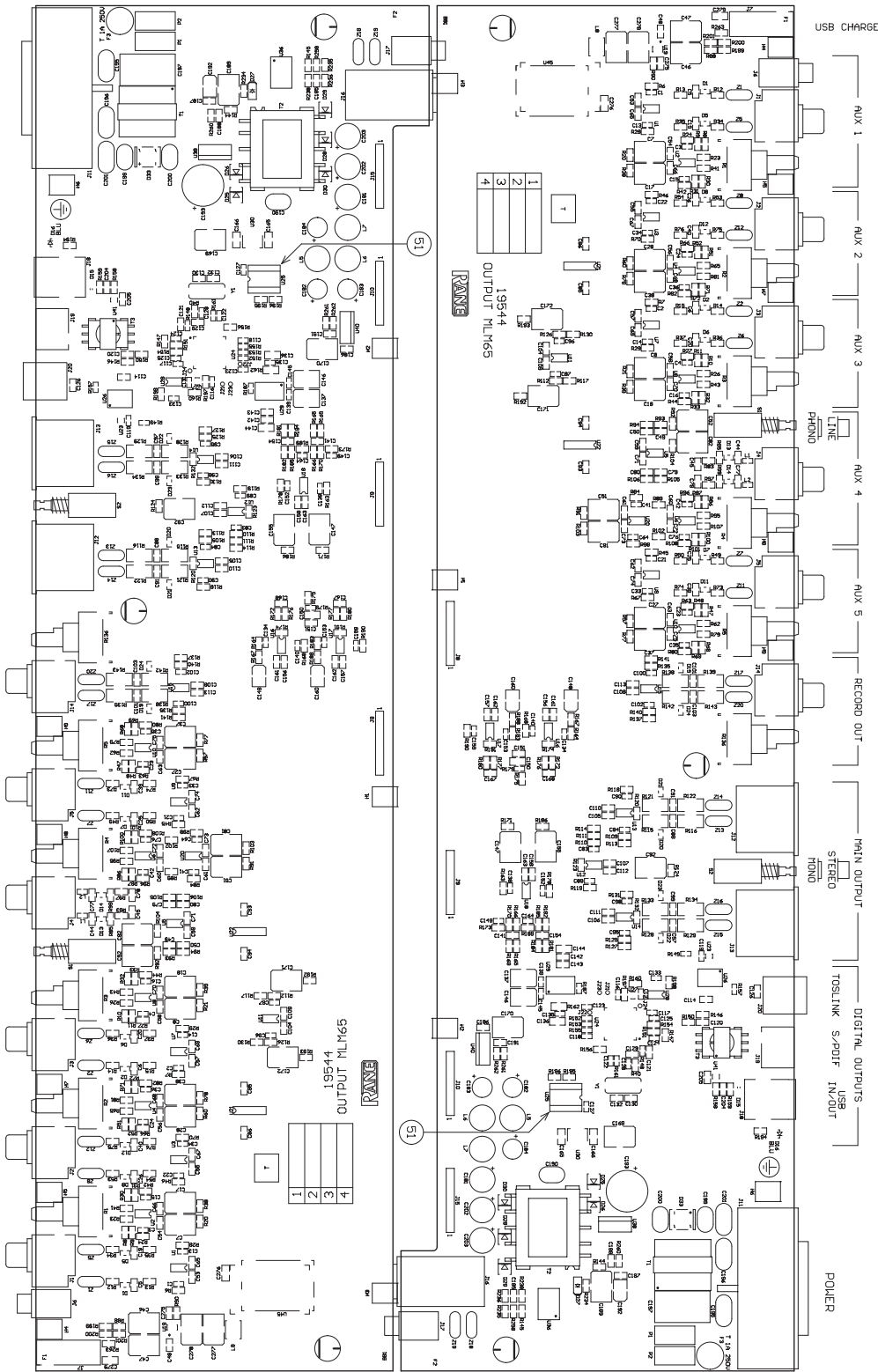


PREP NOTE:
MASK OFF MOUNTING HOLES: D2, D6, D10, D14, D18 & D22
MASK OFF MOUNTING HOLES: H2, H3 & H4 HOLES

112633 FILM 1 OF 5 TOP SILKSCREEN INPUT MLM65

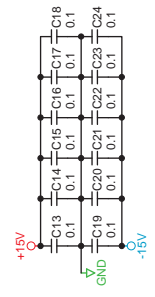
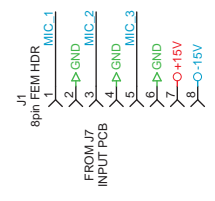
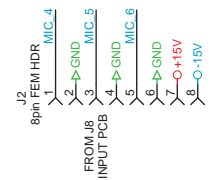
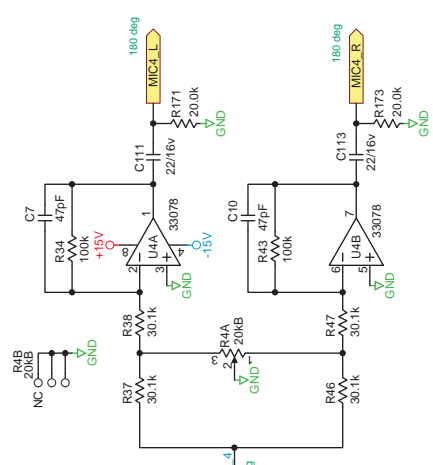
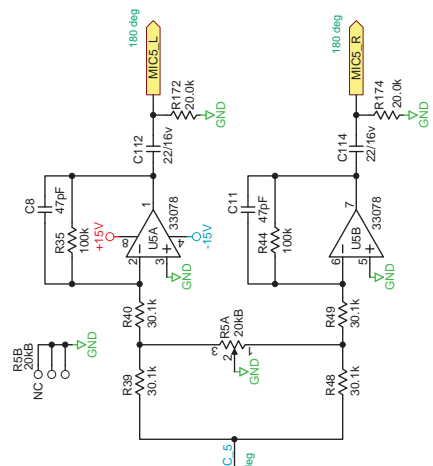
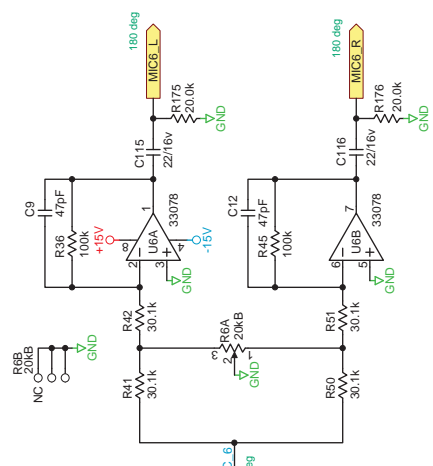
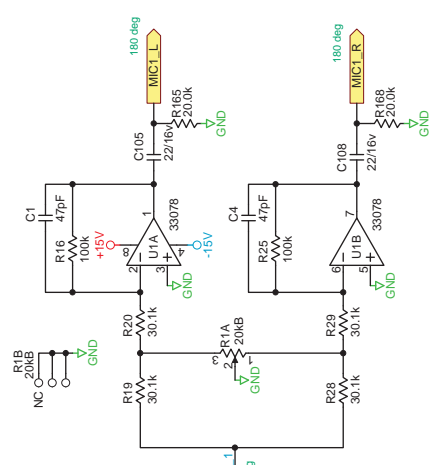
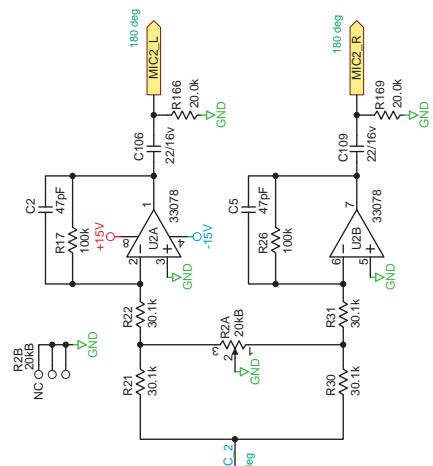
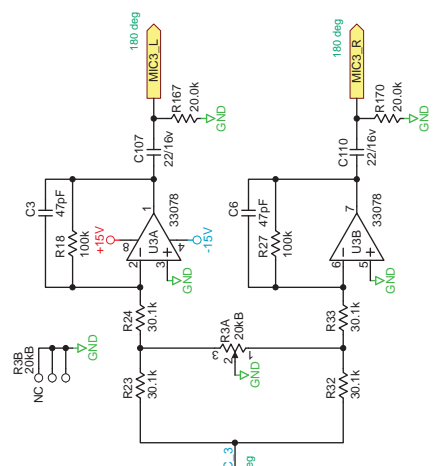




PREP NOTE:
 MASK HOLES H1 THRU H9
 MASK THE LED (D16)

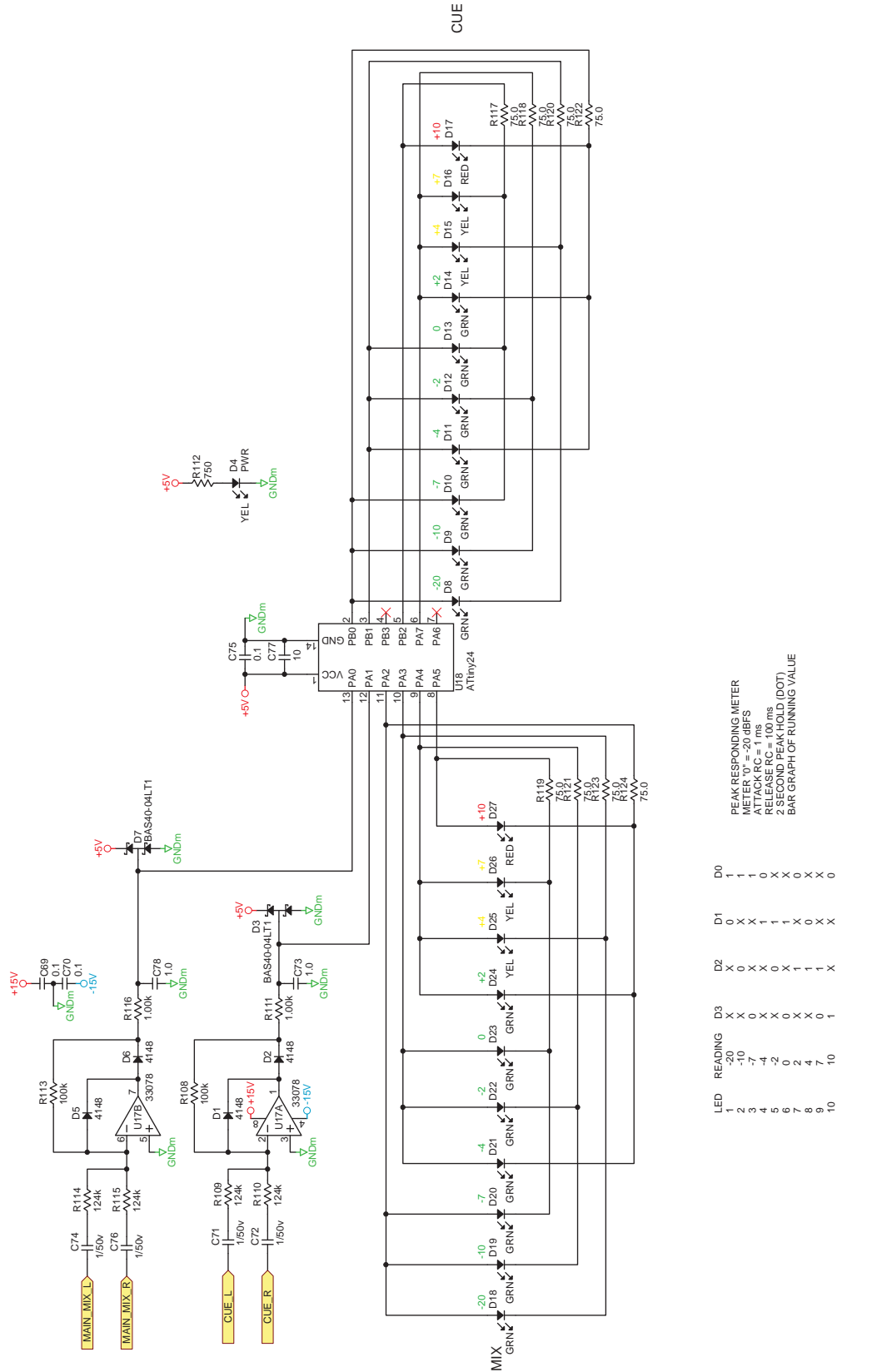
113204 FILM 1 OF 8 TOP SILKSCREEN OUTPUT MLM65

TOUCH UP NOTE:
 TRIM LEADS OF ALL
 POWER SUPPLY PARTS



ACTION: NO CHANGE THIS SHEET.
 WAS 112351 18DEC09 SKH
 DRAWN BY: DB CHECKED BY: RJ

FRONT MLM65
 10802 47th Avenue West
 Mukilteo WA 98275-5998

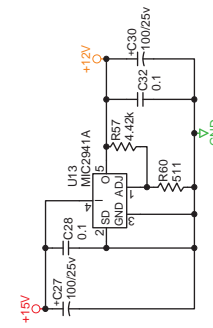
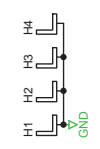
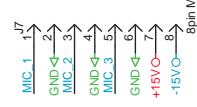
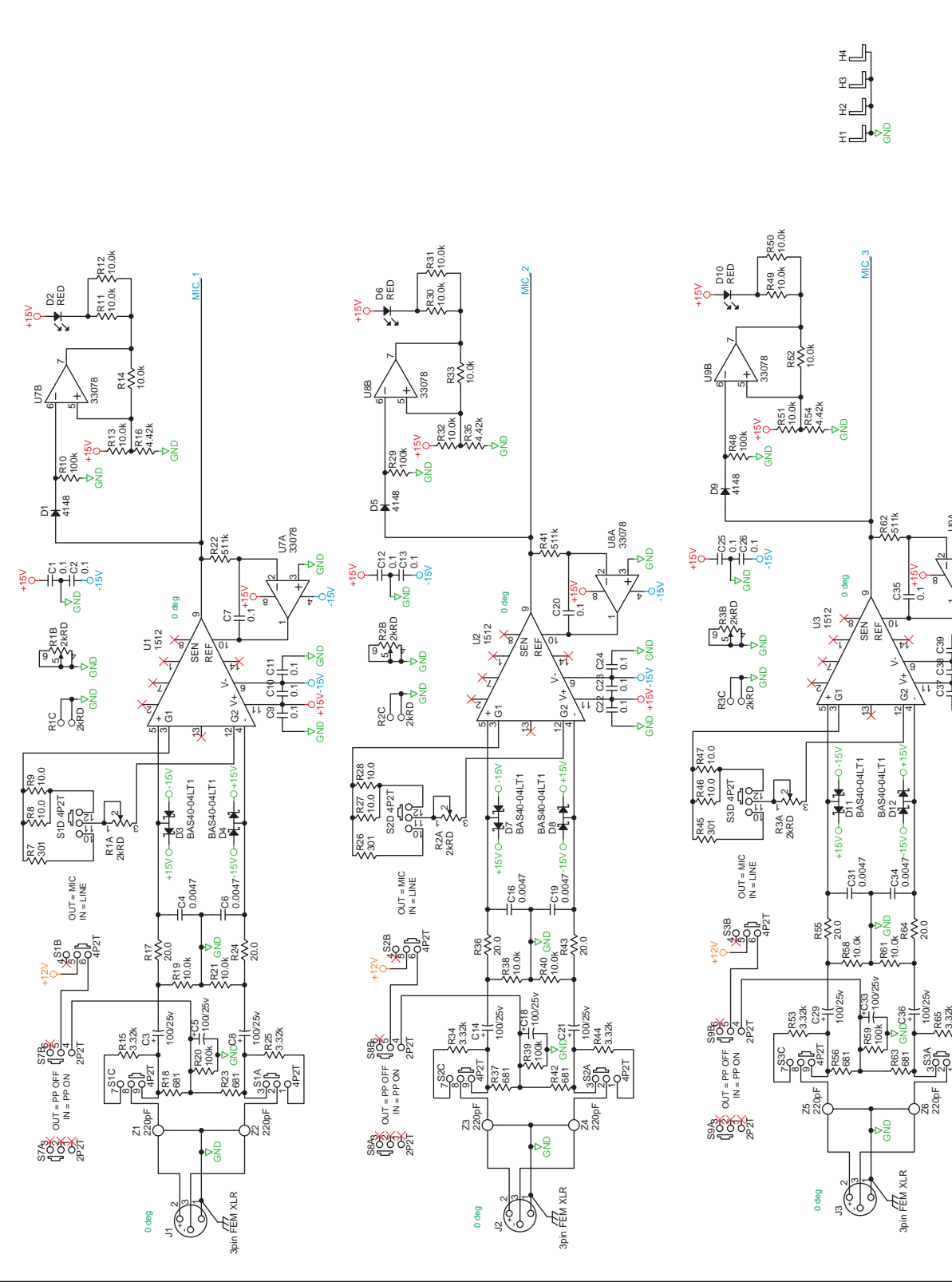


PEAK RESPONDING METER
 METER 10⁻²⁰dBFS
 ATTACK RC = 1 ms
 RELEASE RC = 100 ms
 2 SECOND PEAK-HOLD (DOT)
 BAR GRAPH OF RUNNING VALUE

LED	READING	D3	D2	D1	D0
1	-20	X	X	0	1
2	-10	X	0	X	1
3	-7	0	X	X	1
4	-4	X	0	1	X
5	-2	X	X	1	X
6	0	0	X	X	X
7	2	X	X	1	X
8	4	X	1	0	X
9	7	0	1	X	X
10	10	1	X	X	0



Pad	Gain	Total	Max Input
Line (min)	-14.7dB	8.54dB	-6.16dB
Line (max)	-14.7dB	24.7dB	10.0dB
Mic (min)	0dB	9.52dB	9.52dB
Mic (max)	0dB	60.0dB	60.0dB
			-38.5dBu



WARNING

ACTION: 0.0047 WERE 0.003, WAS 112352 18DEC09 SKH

DRAWN BY: DB

CHECKED BY: RJ

PROJECT: INPUT MLM65

DATE: 10802.47th Avenue West SHEET: 1

DATE: 112639

DATE: Mukilteo WA 98275-5998

